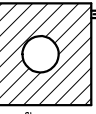
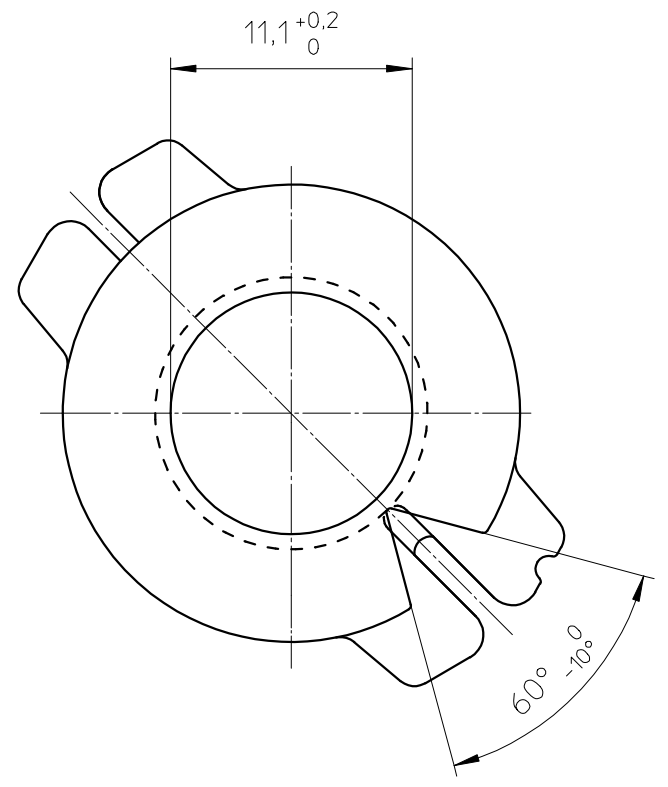
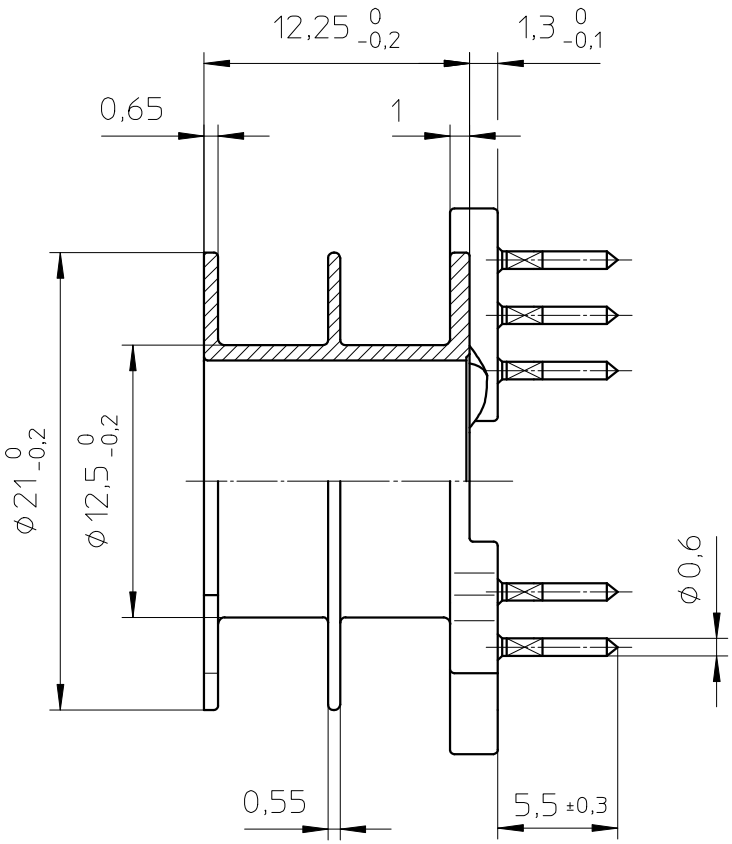
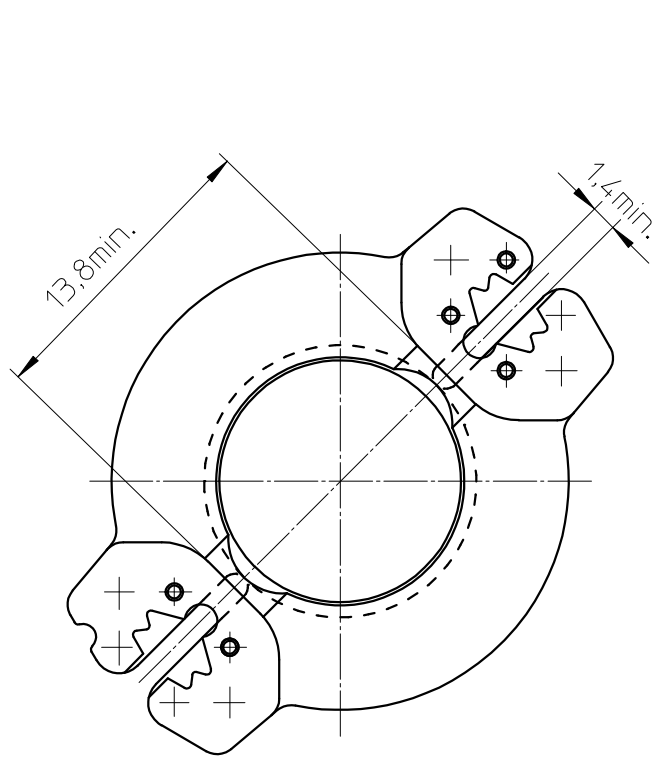
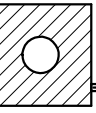


FERROXCUBE

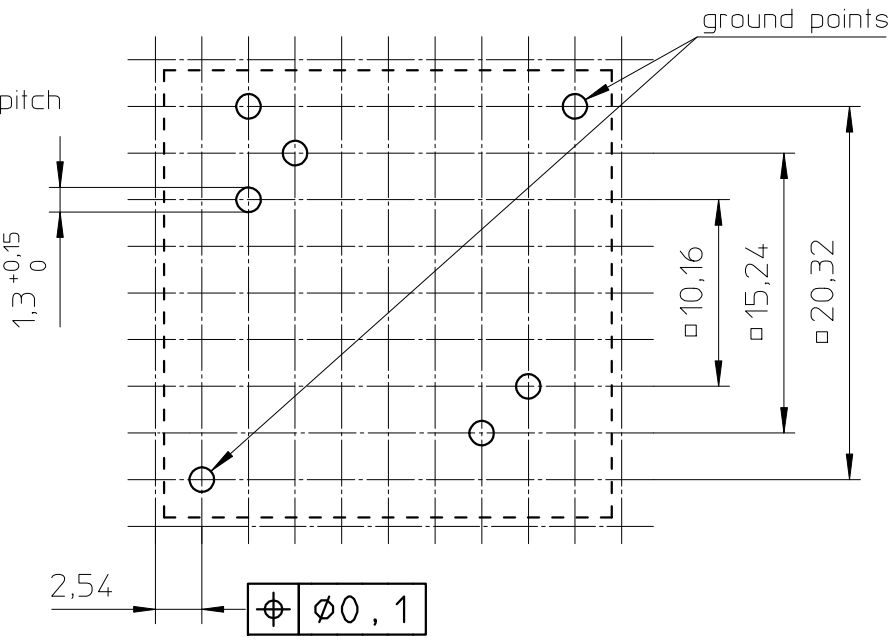


N.V. Philips Gloeilampenfabrieken 19...
 of its subsidiaries, or in part is prohibited without the written
 consent of the copyright owner.

N.V. Philips Gloeilampenfabrieken 19...
 of its subsidiaries, or in part is prohibited without the written
 consent of the copyright owner.



HOLE PATTERN:
 Space requirement 10x10 pitch



Coil former material: Bakelite UP 3420, glass-reinforced
 UL file number: E61040 - UL94V-0.

Pin material: CuSn - Ni flash, Sn plated.

Max. operating temp.: acc. to IEC 60 085 class F, 155°C

Resistance to soldering heat: acc. to IEC 60 068-2-20 Part 2, Test Tb, method 1B 350°C.-3.5sec.

Solderability: acc. to IEC 60 068-2-20 Part 2, Test Ta, method 1, 235°C-2sec.

Winding area: 42.7 mm²

Mean length of turn: 52.3mm.

CLASS.NO.	CSV-RM10-2S-5P		4322 021 34771	04-09-28
				2005-09-01
90-01-26				97-04-18
				00-05-02
				00-08-01
NAME NAAM MPA	M.Veekens	SUPERS. VERV.	1 SH SH BL BL 112 - 001	010
CHECK CONTR.	DAT. 89-04-05	Property of Eigendom van	© FERROXCUBE 2000	
				A3